

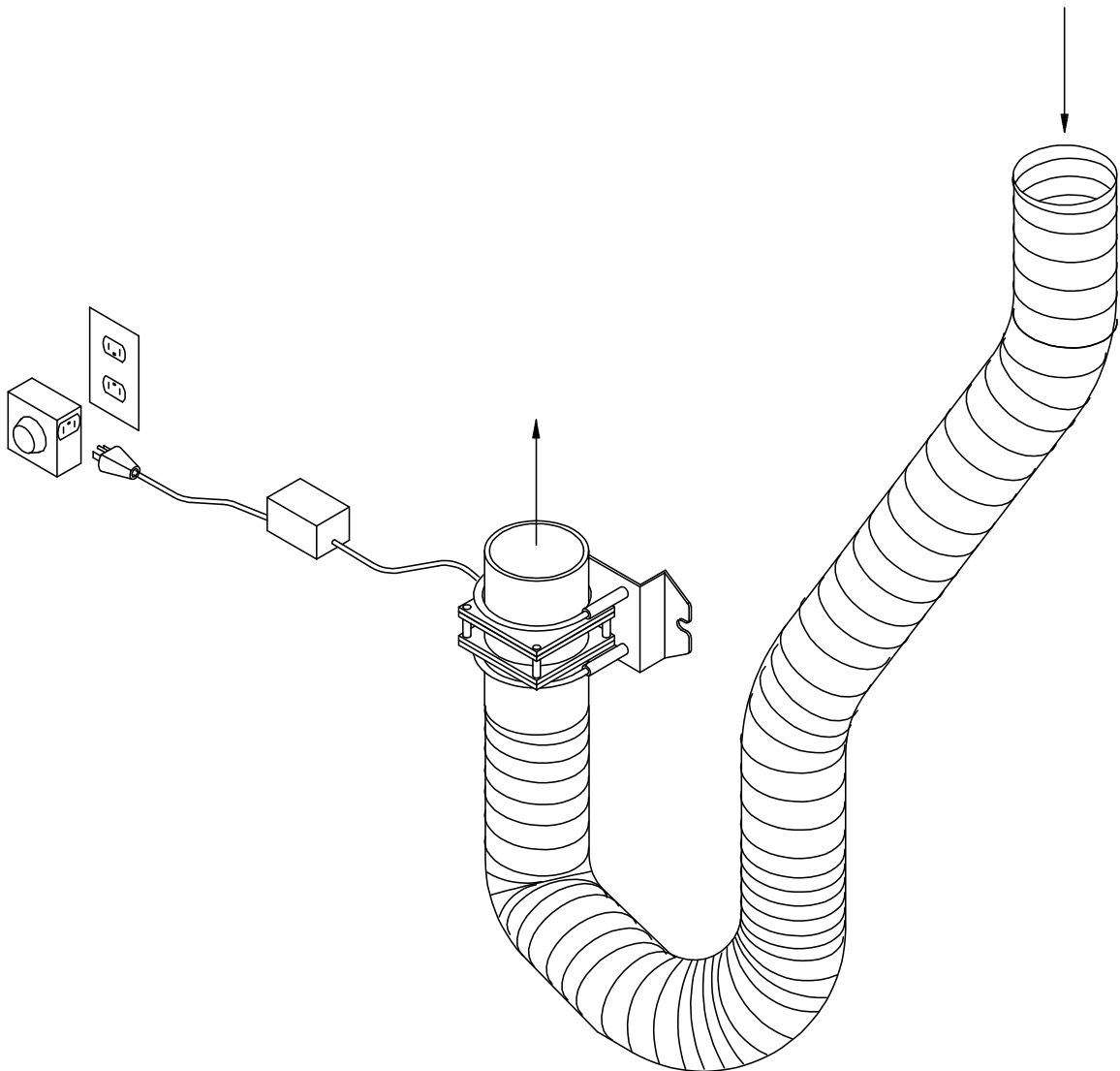
American Safe Room

ASR-100-AB Automatic Ventilation Blower

for use with the Safe Cell

NBC Overpressure Filter/Ventilation System

to provide unfiltered ventilation in protected spaces
when unoccupied



Part number: ASR-100-AB

Revision: H

Date: May 1, 2012

Table of Contents

Contact information 3

Description 4

Installation and operation 5

Contact information

Address: American Safe Room
868 Murdock Drive
Oakland, OR 97462

Telephone: 541-459-1806
FAX: 503-212-6695

E-mail: sales@AmericanBombShelter.com

Websites: www.AmericanBombShelter.com
www.AmericanSafeRoom.com
www.AmericanIsolationRoom.com

Description

The automatic ventilation blower mounts on a wall adjacent to the Safe Cell NBC air filter. It provides ventilation to protected spaces when there are no airborne threats.

It provides 50 cubic feet per minute of fresh, unfiltered air. This will purge your shelter of stale air, relieve moisture, and prevent anaerobic mold spores from growing.

It utilizes the same plumbing as the Safe Cell. The flexible air intake hose is removed from the Safe Cell and attached to the automatic blower. The air is drawn through the intake ventilation pipe, through the flexible air intake hose, out of the blower, through the shelter, then out the overpressure valve and outflow ventilation pipe.

Connection 1 below shows the air intake hose attaching to the Safe Cell and connection 2 shows it attaching to the automatic ventilation blower.

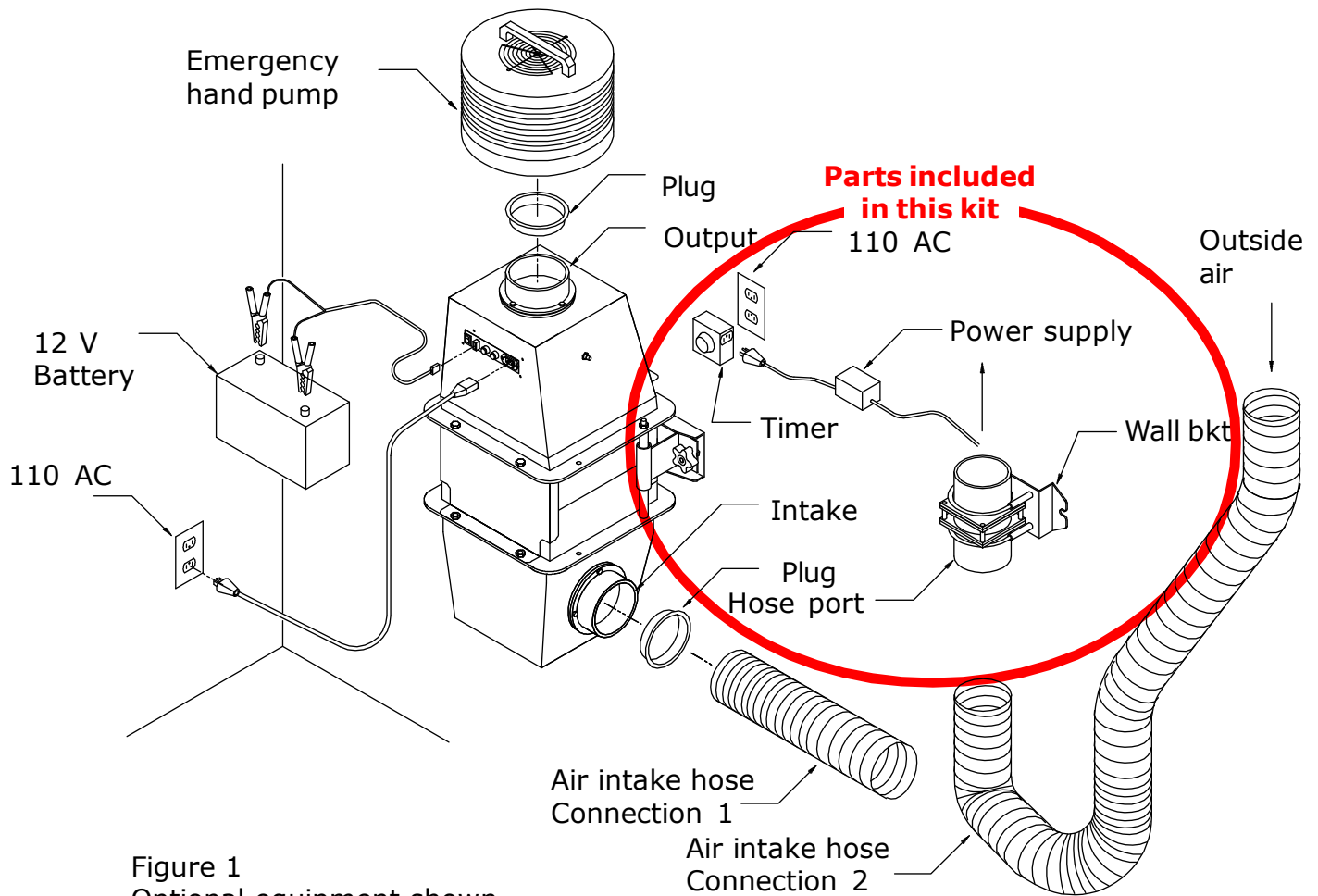


Figure 1
Optional equipment shown

Installation

CAUTION

Never have the auxiliary blower in the on condition or running during handling or changing configurations.

The auxiliary blower may be powered only after it is installed in to the wall bracket

Never use the ventilation blower to bring in unfiltered outside air during a time of elevated threat.

Locate a space on a wall adjacent to the Safe Cell. It must be in reach of the flexible air intake hose that the Safe Cell uses.

Included are two lag screws for installation in masonry or wood walls. Locate the screw locations using the mounting plate as a guide. Drill pilot holes in the wall and attach the mounting plate with the lag screws.

The power cord is plugged into the timer and the timer plugged into a 110 volt AC outlet.

Timer operation

To set up the timer, please see the instructions in the package. It is recommended that the timer first be set for the minimum amount of time per day. If moisture is present after 3 days, increase the time by ½ hour increments until no moisture or stale air is present.

Manual operation

Unplug the power cord from the timer and plug it into a 110 volt AC outlet.

12 volt DC operation

The blower may be provided 12 volt DC power if there is no AC power available. The manufacturer's rated power draw is .66 amps at 12 volt DC.