

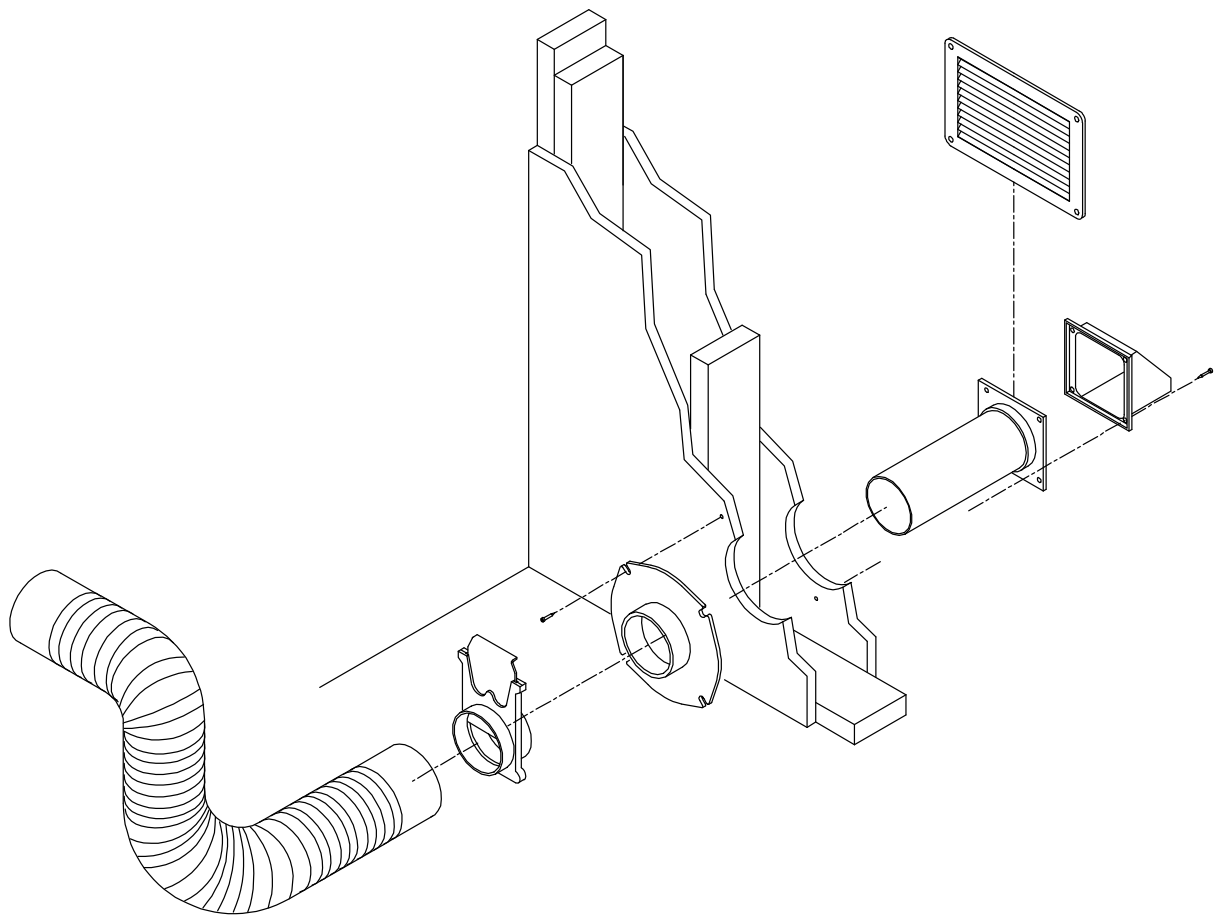
American Safe Room, Inc.

Installation and Operation Manual

for the

ASR-Through the Wall Connection Kit

Room to Room or Outside Vent



Revision: C
May 1, 2007

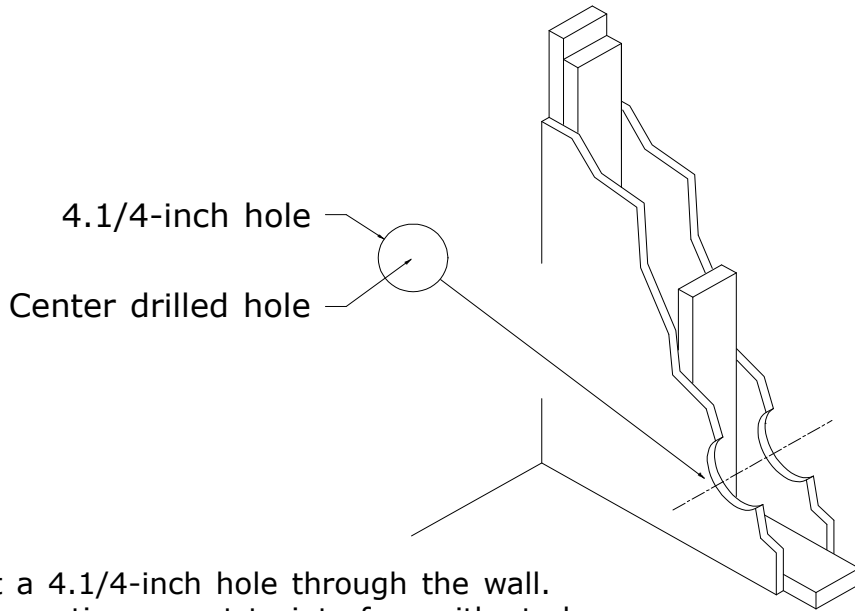
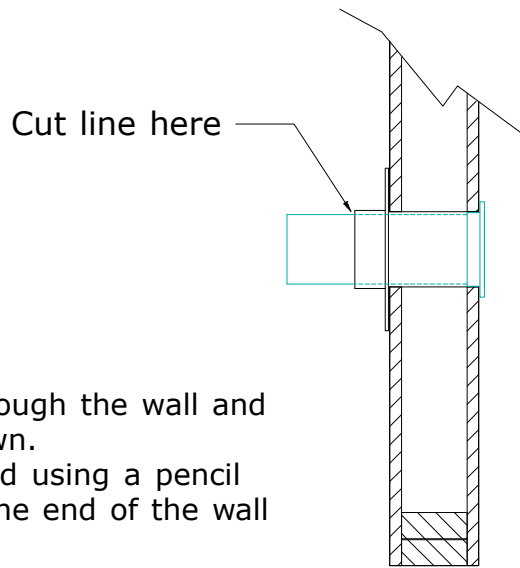


Figure 1

Cut a 4.1/4-inch hole through the wall.
Use caution as not to interfere with studs,
plumbing or electrical wiring.



Assemble the vent tube through the wall and
into the wall flange as shown.
Draw the assembly tight and using a pencil
mark a cut line flush with the end of the wall
flange coupling.

Figure 2

Disconnect the metal vent tube from the back plate assembly.
Depress the metal tube at the lug/hole locations and retract tube from the back plate assembly.

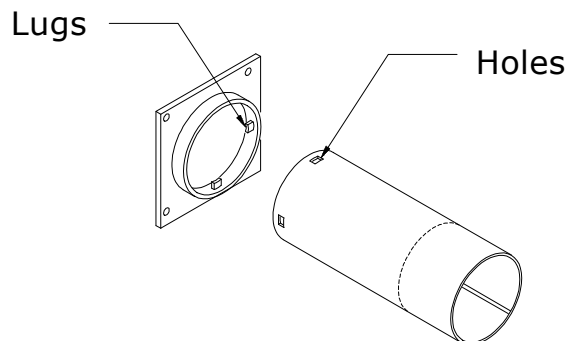


Figure 3

Open tube by disconnecting the interlocking seam.

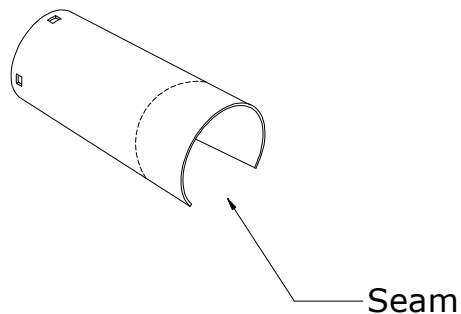


Figure 4

Cut along cut line as shown and reassemble the tube to the back plate assembly by following steps in figures 4 and 3 in reverse.

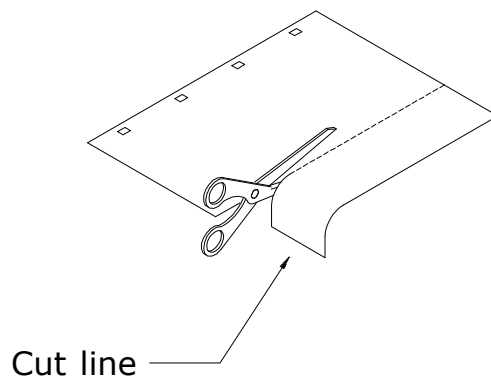


Figure 5

Parts List

- 1. Inside louvered register
- 2. Outside rain hood

- A. 1 each Tube assembly
- B. 8 each Wood screws
- C. 1 each Lockout valve

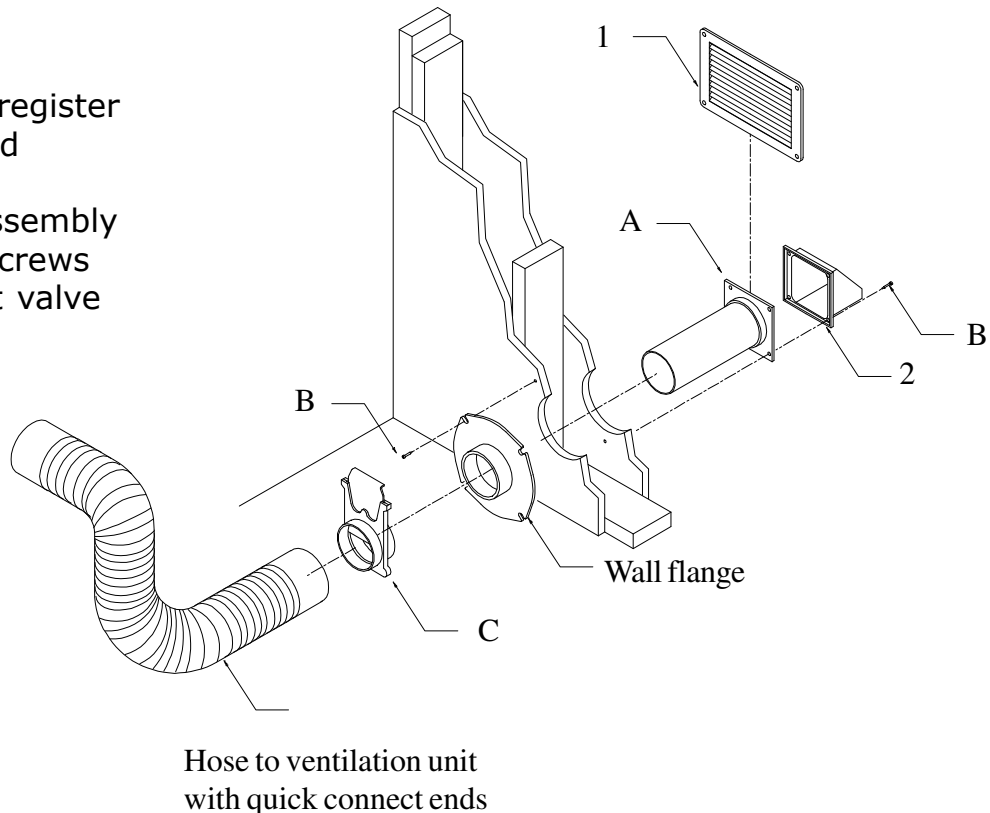


Figure 6

Final assembly is as shown.

The cut end of the vent tube is flush with the wall flange hose coupling port and the lockout valves tapered end pushes in inside the metal vent tube to create a tight seal.

Install (1) louvered register for room to room installations.

For proper fit insure that the plastic lugs on face of the tube assembly plate nest inside the louvers of the register.

Install (2) hooded vent for outside installations.